

FOR PUBLIC DISTRIBUTION



PRESS RELEASE

**Airforms, Inc. awarded new FAA PMA approvals
Baffle kits now available for Piper PA-28-161 Warrior
And PA-28-236 Dakota aircraft**

#

BIG LAKE, ALASKA, 27-Feb-14 – Airforms’ growing line of replacement engine baffles now includes parts for all Piper PA-28-161 and PA-28-236 aircraft. The newly approved Warrior and Dakota baffle sets expand Airforms’ engine baffle product line to over 50 applicable aircraft models.

“We have listened closely to our customers in the flight training market, and responded to their needs with a product that will stand up to the most challenging operating conditions.” said Dave Utsch, Sales and Marketing Director. “We work directly with our customers to hone an understanding of where we can best support their operations. All of the parts in our most recent Piper baffle release are designed for longer life and increased serviceability – we are pleased to offer customers a price point near 50% of OEM list.”

Airforms baffles are available with either a bare or powder coat finish, incorporate design reinforcements with longer lasting materials, and feature reinforced silicone seals fastened to the metal baffles with rivets. All baffles are FAA approved replacements for the original Piper parts, and are individually interchangeable.

Airforms is the world’s leading supplier of replacement engine baffles for a wide range of general aviation aircraft; products also include an expanding line of turboprop aircraft PMA parts and STCs. Airforms maintains an FAA approved manufacturing system for PMA parts, supported by an engineering department with FAA DER staff.

For more information, including a secure online marketplace and catalog, visit www.airforms.biz. Airforms’ operates from 7 AM to 7 PM CST business days and can be reached directly at 907-892-8244.

#

(see photos on page 2)

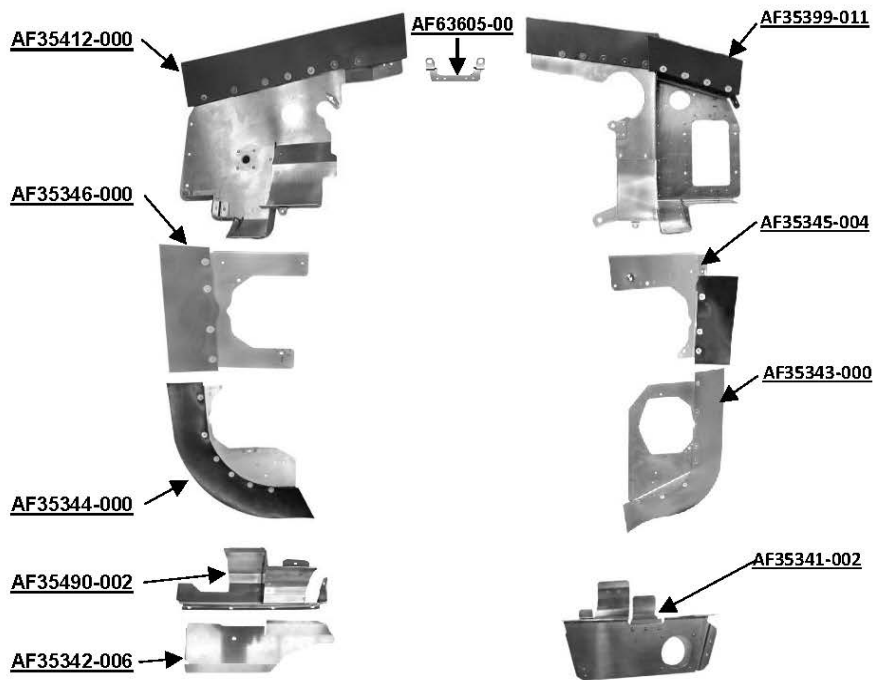


Photo 1: Airforms engine baffles for PA-28-161 Warrior aircraft

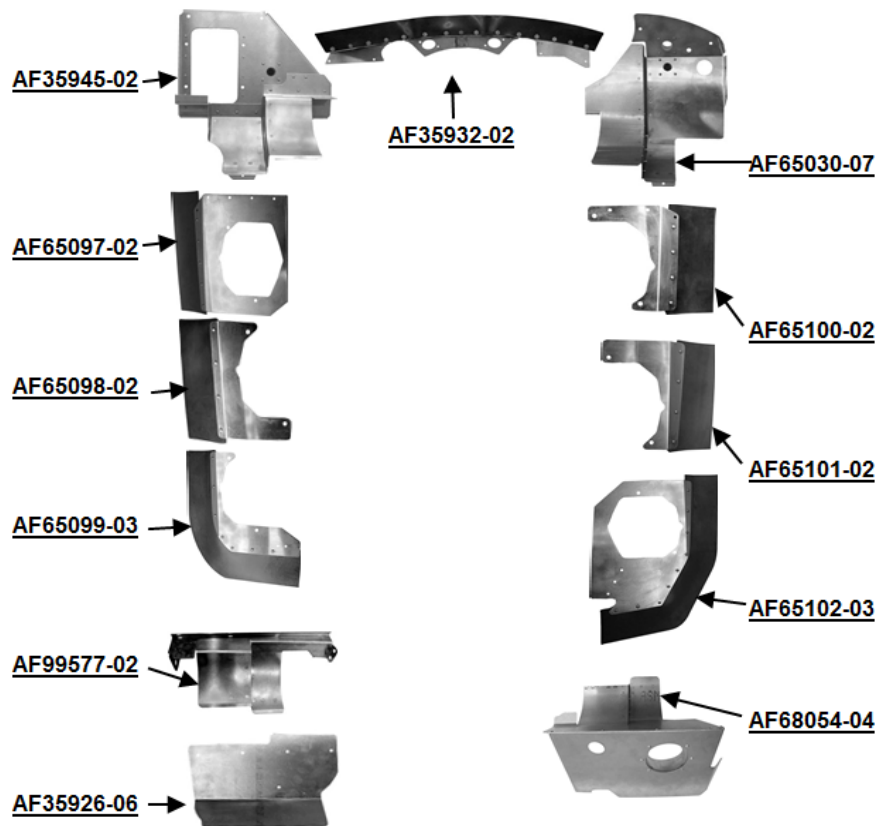


Photo 2: Airforms engine baffles for PA-28-236 Dakota aircraft