

FOR PUBLIC DISTRIBUTION



**PRESS RELEASE**

**Airforms, Inc. awarded new FAA PMA approvals**

**Baffle kits now available for Piper PA-28-181 Archer 2,  
PA-28R-200 Arrow 2 and PA28R-201 Arrow 3 aircraft**

# # #

**BIG LAKE, ALASKA, 24-Mar-14** – Airforms’ growing line of replacement engine baffles now includes parts for all Piper PA-28-181 and PA-28R-200 and PA-28R-201 aircraft. The newly approved Archer and Arrow baffle sets expand Airforms’ engine baffle product line of over 50 applicable aircraft models.

“Expansion in the Piper baffle line continues to be strong.” said Dave Utsch, Sales and Marketing Director. “We strive to understand the needs of our general aviation and flight school customers with respect to operation of their Archer and Arrow series aircraft – we are again pleased to offer customers a price point near 50% of OEM list with in-stock availability. Airforms’ team of expert craftsman has ensured exemplary fit and function of our replacement Arrow and Archer baffles. Our company goal is to offer the best customer experience possible, and we look forward to serving additional Piper owners and operators as our product line continues to grow.”

Airforms’ baffles are available with either a bare or powder coat finish, incorporate design reinforcements with longer lasting materials, and feature reinforced silicone seals fastened with rivets. All baffles are FAA approved replacements for the original Piper parts, and are individually interchangeable.

Airforms is the world’s leading supplier of replacement engine baffles for a wide range of general aviation aircraft; products also include an expanding line of turboprop aircraft PMA parts and STCs. Airforms maintains an FAA approved manufacturing system for PMA parts, supported by an engineering department with FAA DER staff.

For more information, including a secure online marketplace and catalog, visit [www.airforms.biz](http://www.airforms.biz). Airforms’ operates from 7 AM to 7 PM CST business days and can be reached directly at 907-892-8244.

# # #

(see photos on pages 2 and 3)

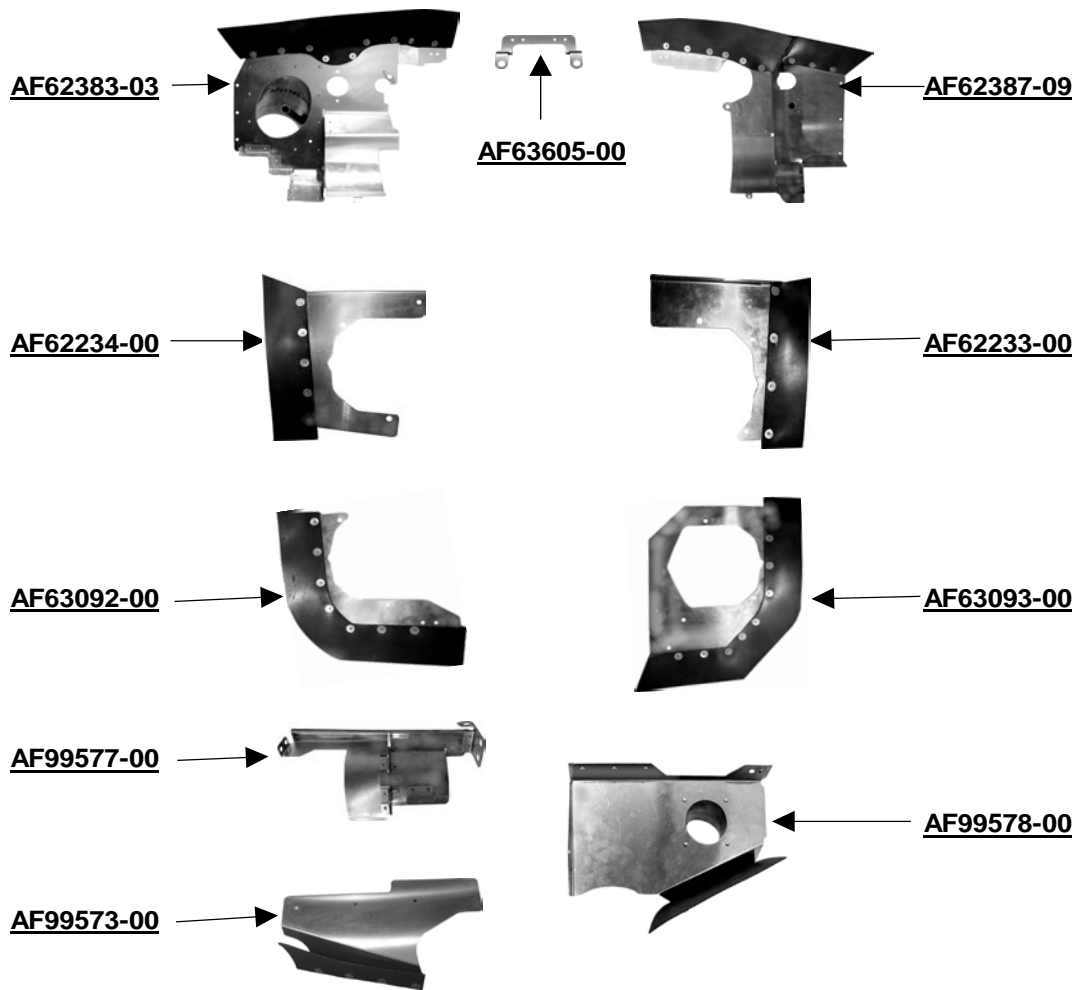


Photo 1: Airforms engine baffles for PA-28-181 Archer 2 aircraft

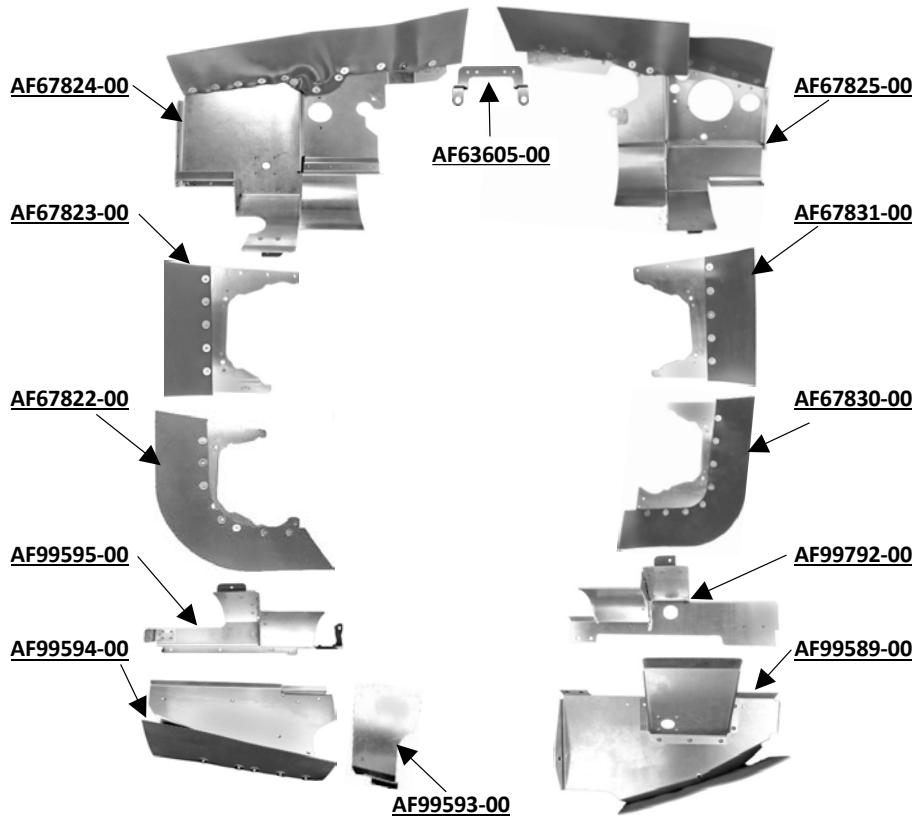


Photo 2: Airforms engine baffles for PA-28R-200 Arrow 2 aircraft

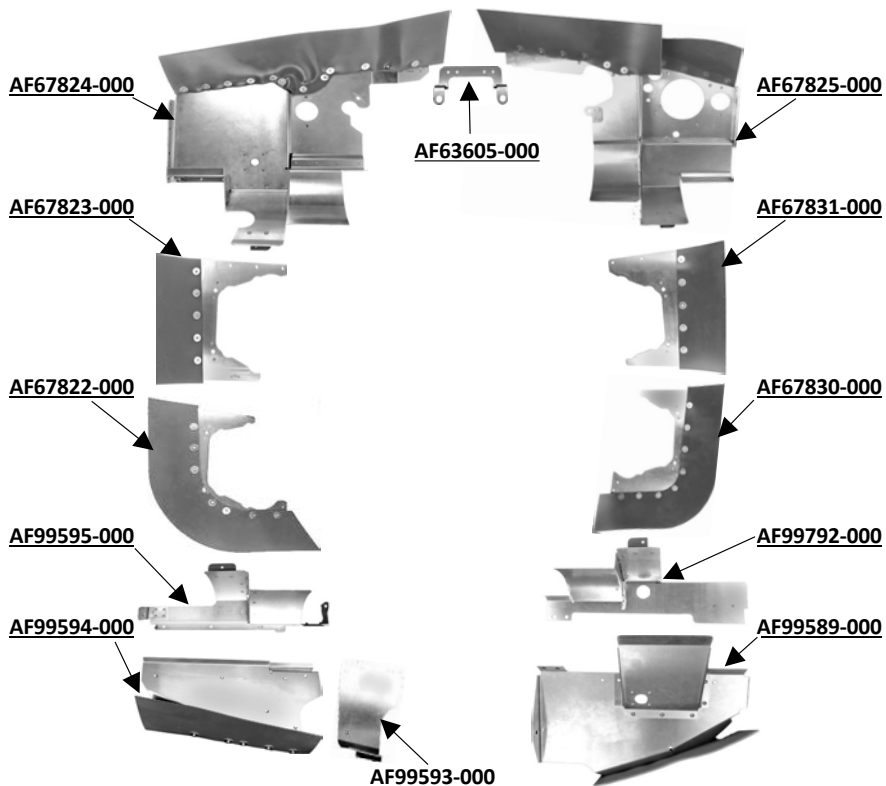


Photo 3: Airforms engine baffles for PA-28R-201 Arrow 3 aircraft