

FOR PUBLIC DISTRIBUTION



PRESS RELEASE

Airforms, Inc. awarded new engine baffle FAA PMA approvals

Baffle kits now available for Piper PA-28-161 Warrior

And PA-28-236 Dakota aircraft

#

BIG LAKE, ALASKA, 27-Feb-14 -- Airforms, Inc. growing line of replacement aircraft engine baffles now includes parts for all Piper PA-28-161 Warrior and PA-28-236 Dakota aircraft. Airforms' engineering department received the new PMA (Part Manufacturing Approvals) this week through its continued work with the FAA Anchorage ACO (Aircraft Certification Office). The new Piper baffles add to an existing product line of over 50 unique FAA PMA engine baffle kits for a wide range of aircraft.

"Airforms' engine baffle line continues expansion with our new Warrior and Dakota offerings – we have listened closely to our customers in the flight training market, and responded to their needs with a product that will stand up to the most challenging operating conditions." said Dave Utsch, Sales and Marketing Director. "We work continually and directly with our customers to hone an understanding of where our experience can best support their operations. All of the parts in our most recent Piper baffle release are designed for longer life and increased serviceability – we are pleased to offer customers a price point near 50% of OEM list."

The replacement Warrior and Dakota baffle kits represent the next evolution in Airforms' engine baffle product line. The new PMA'd Piper baffle kits apply to PA-28-161 and PA-28-236 aircraft, all production years. Airforms' baffles feature a bare or durable powder coat finish, incorporate design reinforcements with longer lasting materials, and a feature a range of seal options. All baffles are designed to be precise replacements for the original parts.

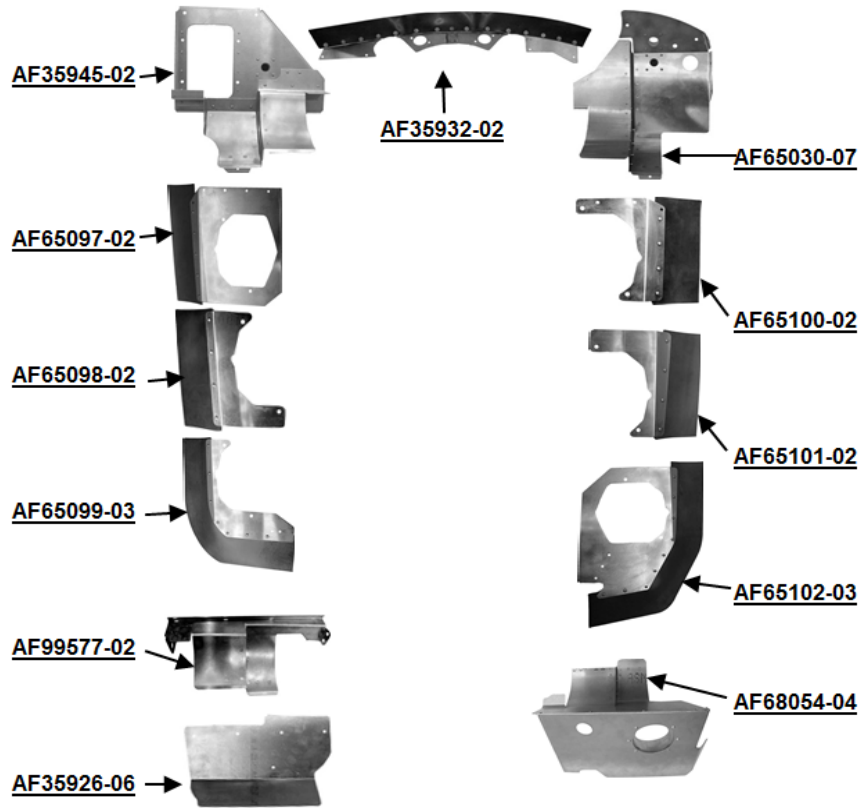
Airforms, Inc. is a growing aeronautical design and production company located in Big Lake, Alaska. Airforms is an industry leading supplier of replacement engine baffles for a wide range of general aviation aircraft; products also include a select and expanding line of turboprop aircraft PMA parts and STCs. Airforms maintains an FAA approved manufacturing system for PMA parts, supported by an engineering department with FAA DER staff.

For more information, including a secure online marketplace and catalog with photographs, visit www.airforms.biz. Airforms' operates from 7 AM to 7 PM CST on all business days and can be reached directly at 907-892-8244.

#

(see photo on page 2)

[insert -161 baffle kit photo here]



Airforms engine baffles for PA-28-236 Dakota aircraft